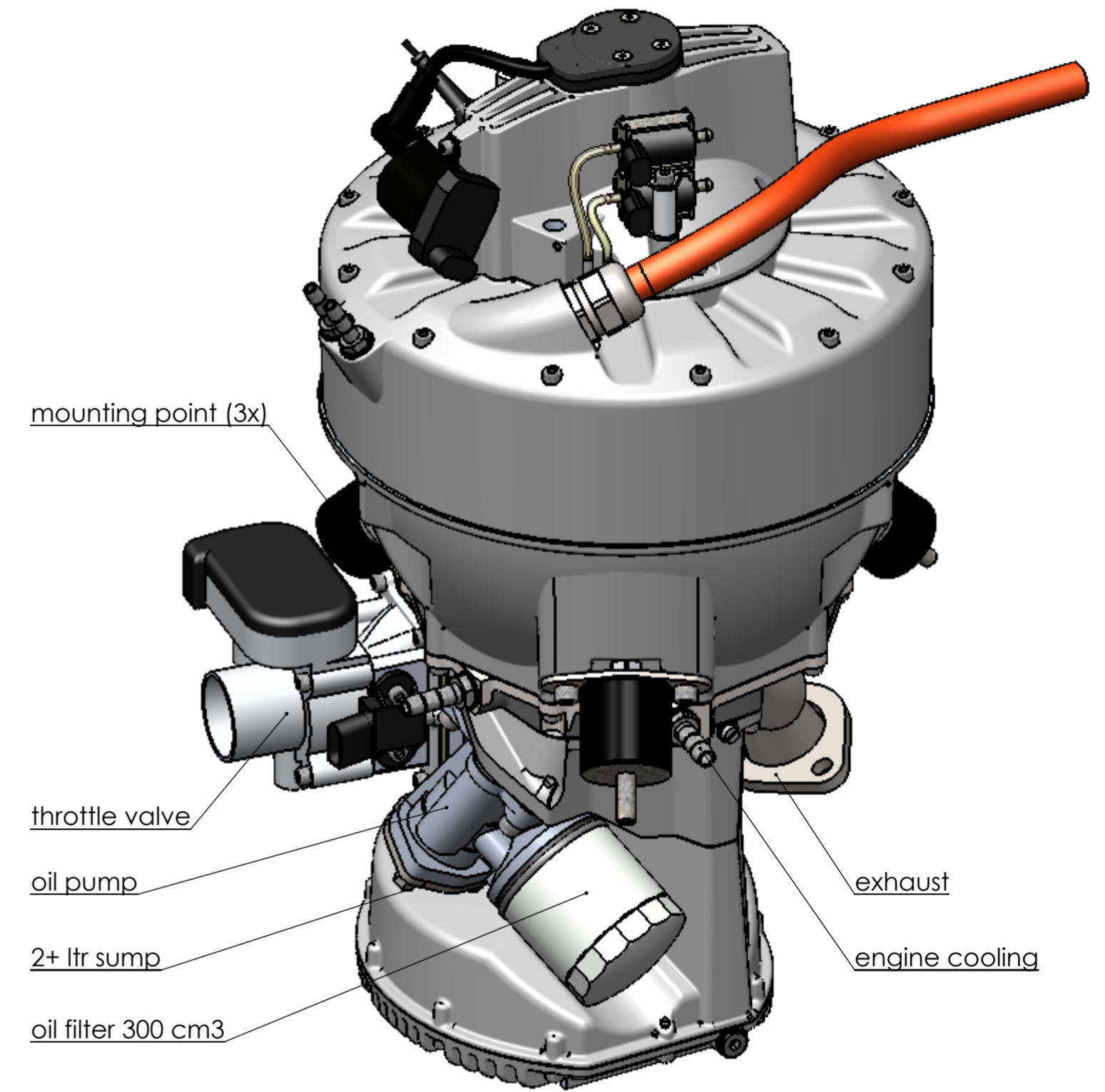
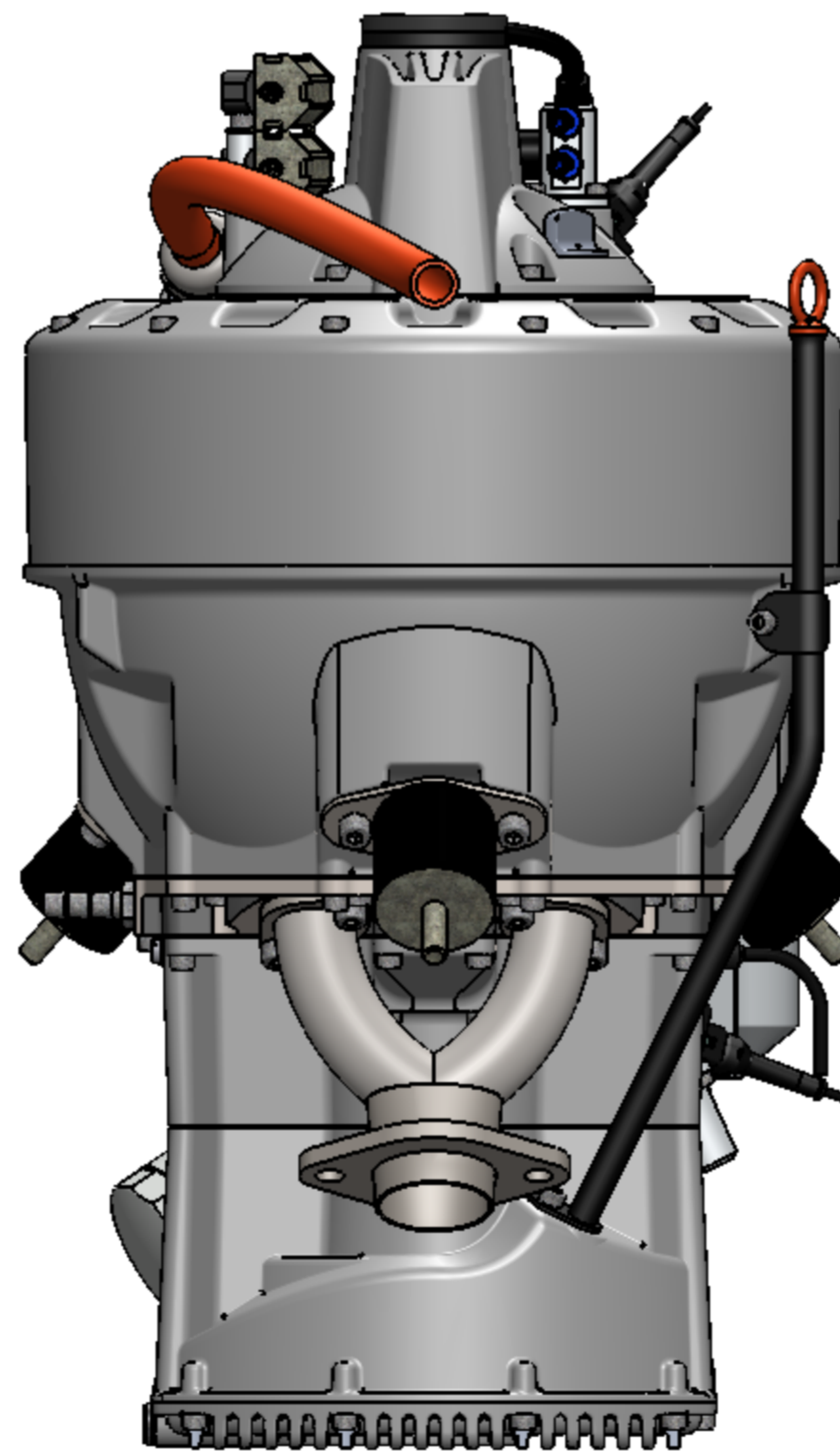
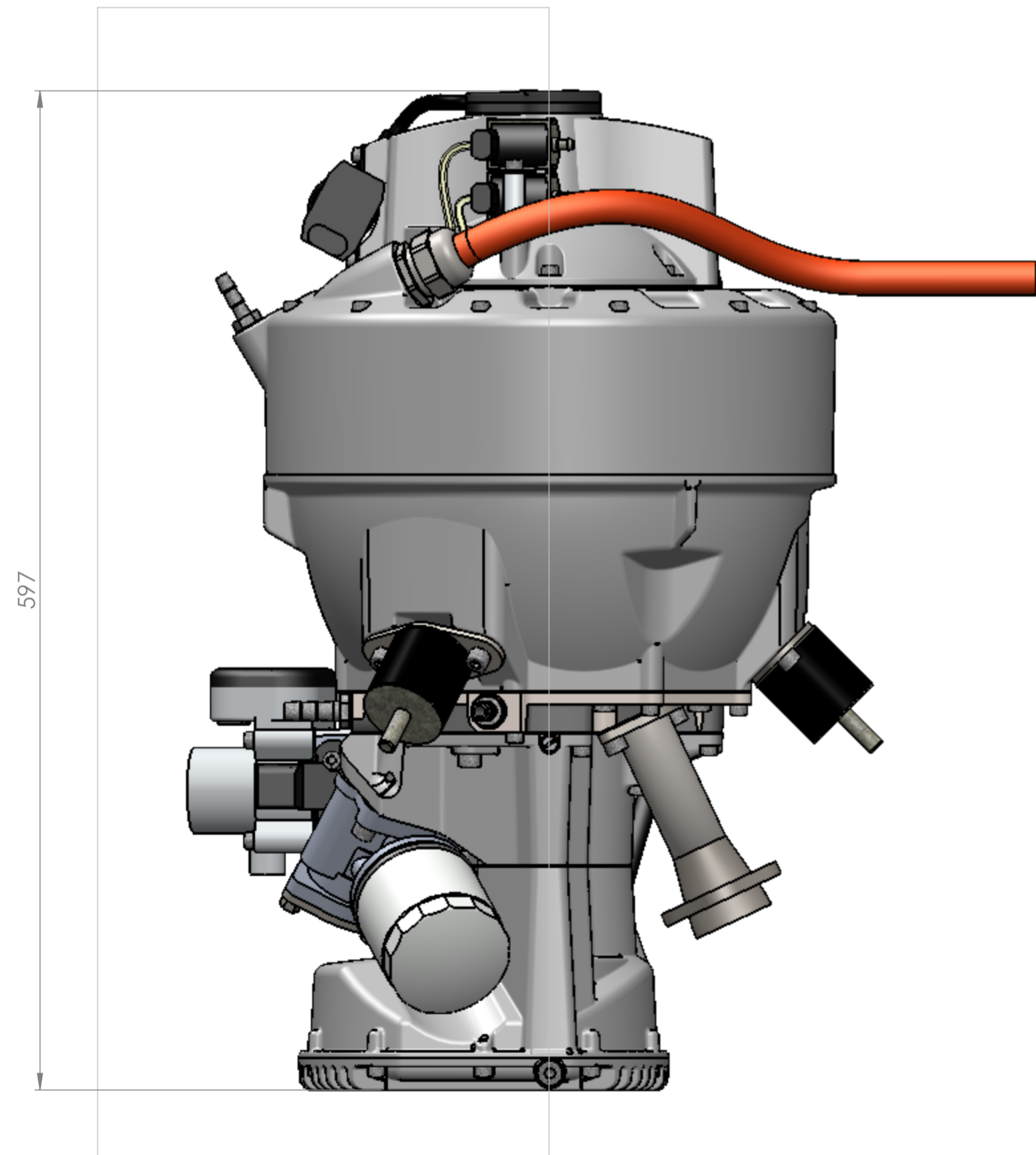
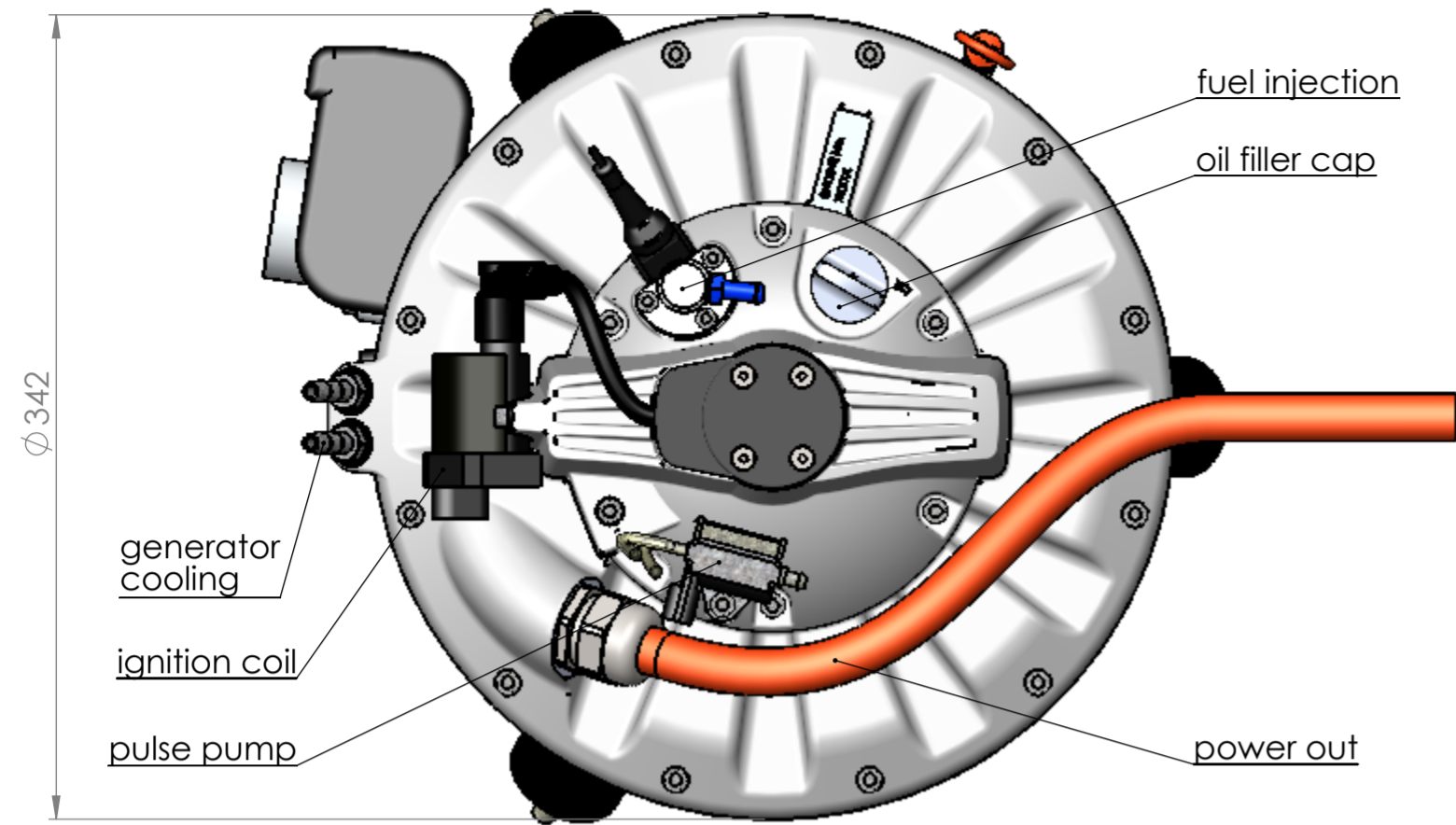


REV	REASON FOR ISSUE	DATE
00	INITIAL RELEASE	dd-mm-yyyy
01	RELEASE 01	dd-mm-yyyy
02	RELEASE 02	dd-mm-yyyy
03	RELEASE 03	dd-mm-yyyy
04	RELEASE 04	dd-mm-yyyy



ALL DIMENSIONS IN MILLIMETERS DO NOT SCALE - IF IN DOUBT ASK	DRAWN: .. CHECKED: .. APPROVED: ..	DATE: 6-3-2014	MATERIAL SPECIFICATION: WEIGHT: 62.81 kg SCALE: 1:3
3RD ANGLE	PROJECT: RE102	TITLE: RANGE EXTENDER PTII-S60	
Peec-Power <i>extending your range</i> <small>Griendweg 9 - 3295 KV 's-Gravendeel - The Netherlands Telephone +31 (0)78 6731008 - Facsimile +31 (0)78 6731236</small>		DRG.NO: P2_00	SHEET: 1 of 1 A2

The information contained in this document is the sole property of Peec-Power. Any reproduction in part or whole without the written permission of Peec-Power is prohibited.